



## Heavy Duty Working Davit VESTDAVIT CL - type



# VESTDAVIT CL - TYPE DAVIT

This is the "heavy duty" single arm davit for large Mob's and work boats.

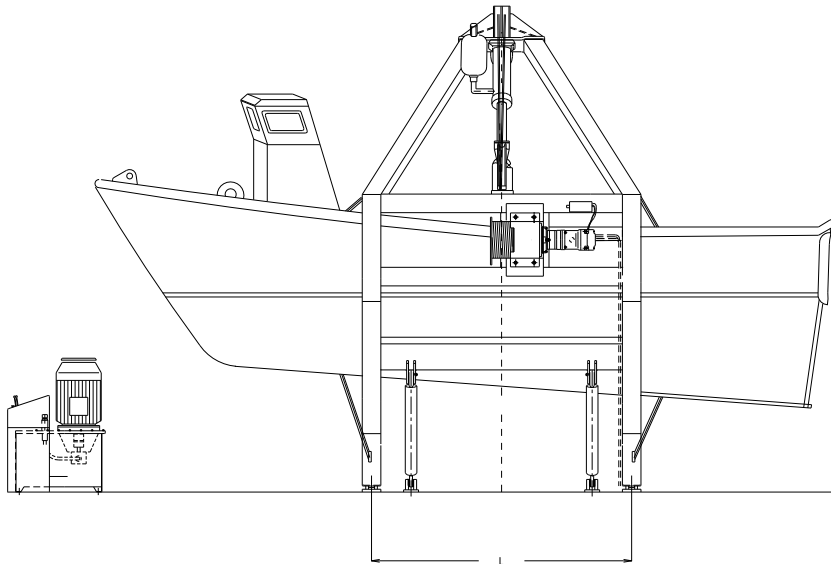
Typical users : Supply, Seismic, Navy and Fishing vessels.

Capacity : 2500-12500 kg, 6-9 m length

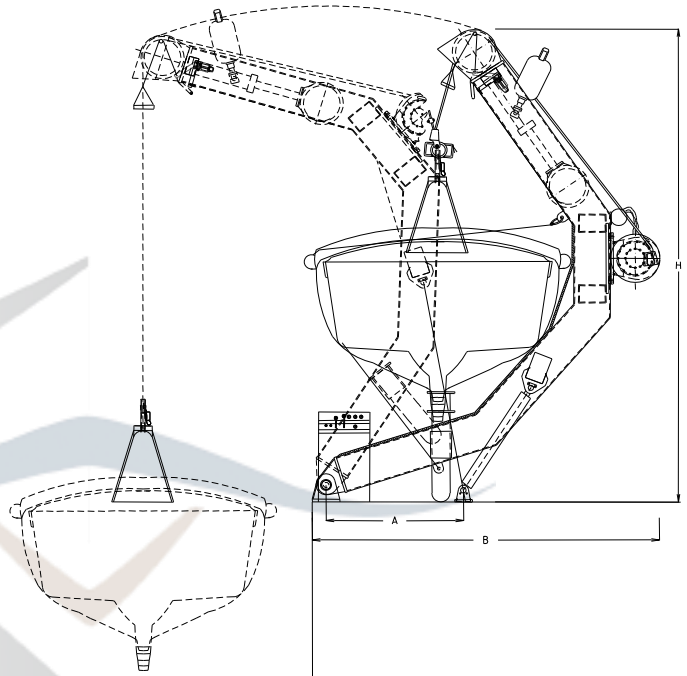
Power : Hydraulic + stored power after latest SOLAS

Optional equip. : Dynamic shockabsorber, Self tension, winch system

Approvals : NMD, MSA



Main Dimension:				
Type	A	B	H	L
CL-3000	1500	2710	4200	2140
CL-5000	1500	3365	4870	2140
CL-7000	1500	3790	5265	2800
CL-10000	1500	3670	5570	2800



Technical specifications:			
Type	SWL Kg	Weight Kg	S (kg)
CL-3000	3000	1700	7062
CL-5000	5000	2600	8300x2
CL-7000	7000	4000	18090x2
CL-10000	10000	4500	25965x2