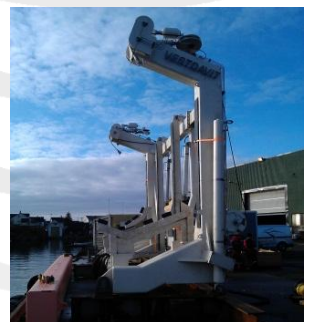




VESTDAVIT HN
Twin Arm Davit for
FRC/FRDC/TENDER/LIFE Boat

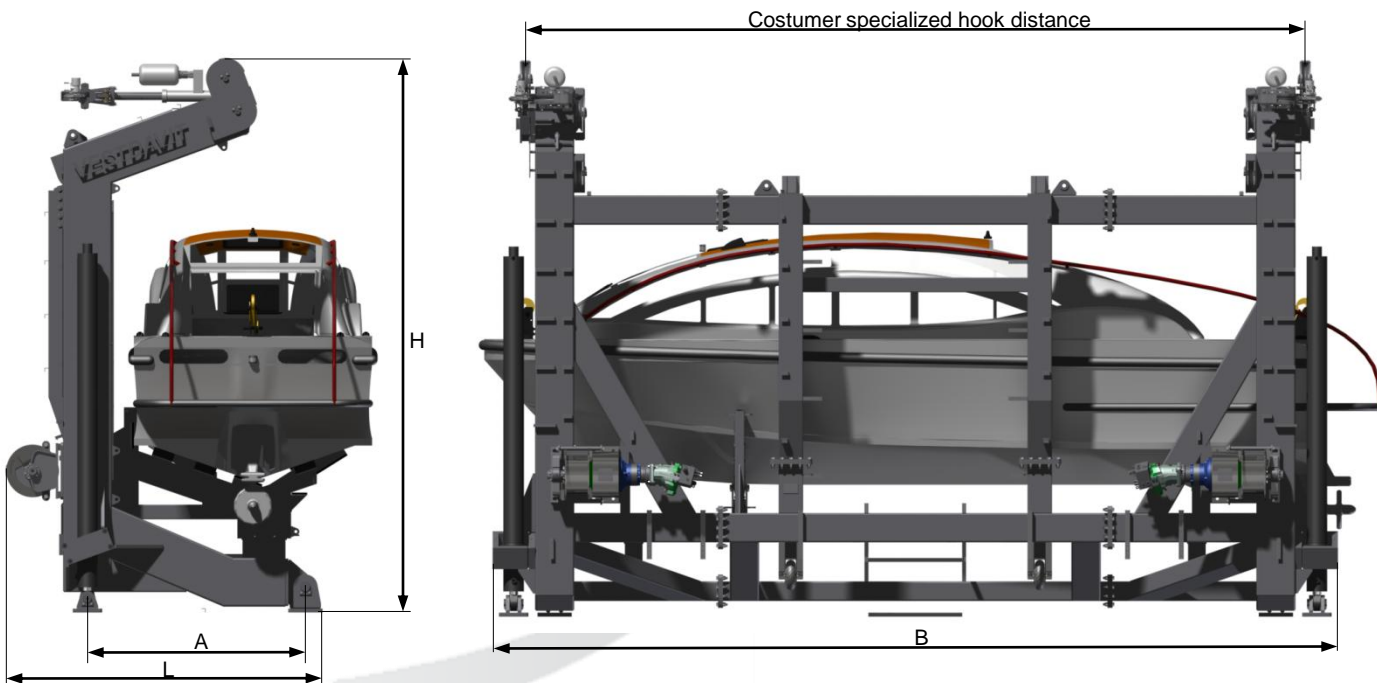


VESTDAVIT HN-TYPE

The HN-type davit is a two-point davit for lifeboats and Cruise Tenders or combined lifeboat/MOB and large high speed boats (ARRC). The davit is characterized by its compact design.

The davit has flexible hook distance, independent self tension system, dual winch system with automatic self levelling. Computer controlled.

- Typical users : Coastguard, Navy, Supply Vessels, Seismic Ships and Cruise Ships
- Capacity : 5000 - 32000 kg
- Hook distance : Flexible and on request
- Power : Hydraulic and stored power according to SOLAS
- Optional equip.: Dynamic shock absorber, self tension winch system, dual winch system, self levelling, winch synchronization, retractable on deck, line pullers, hydraulic end stop, remote control
- Approvals : DNV, other approval on request
- Certificate : CE marking according to the Marine Equipment Directive



Technical specifications and dimensions:							
Type	SWL (kg)	Weight (kg)	S (kg)	A (mm)	B* (mm)	H (mm)	L (mm)
HN-5000	5000	5000	2x10000	1600	2790	3610	5950
HN-9000	9000	6500	2x10730	2350	3140	4150	7965
HN-10000	10000	10800	2x19200	2236	8660	5690	3250
HN-13000	13000	8000	2x16900	2350	3800	4735	8930
HNT-32000	32000	28000	2x76000	2350	8300	6600	14100

* Depending of customers hook distance.