



Lifeboat Davit

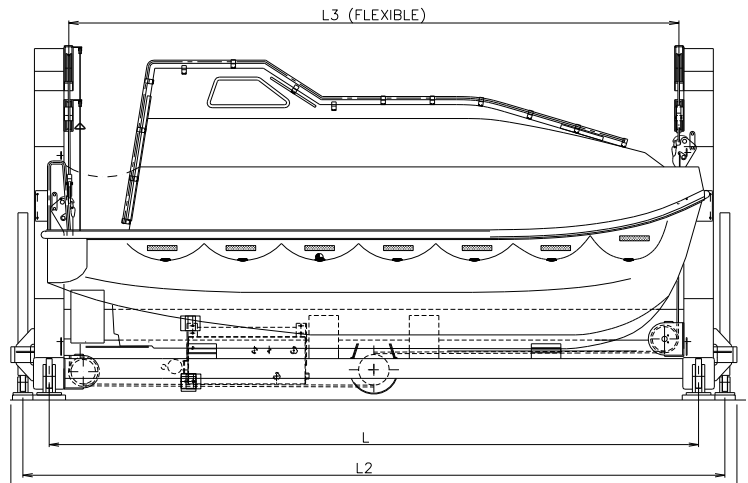
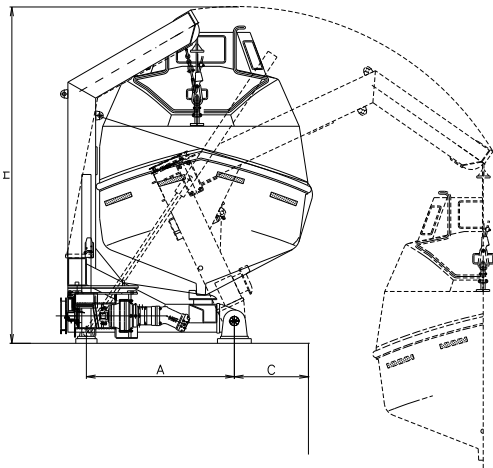
VESTDAVIT H- type



VESTDAVIT H-TYPE

The H-type davit is a two-point davit for lifeboats or combined lifeboat/MOB or Cruise Tenders . The davit is characterized by it's compact design. The standard H-davit has all equipment integrated on the davit structure, including the hydraulic winch and electro-hydraulic power unit. This means no wire blocks, wire guiding etc. on deck. Single or double fall. Interface ships / davit is the pivot hinge, hydraulic deck base, and hydraulic piping to/ from the control console.

- Typical users : Merchant vessels, Passenger ferries/cruise ships
- Capacity : 5000 - 24000 kg.
- Hook distance : 6-12 meters
- Power : Hydraulic, + stored power according to latest SOLAS
- Optional Equipm : Dynamic shock-absorber, self tension winch system.
- Approvals : NMD, USCG, French
- Certificate : CE marking according to the Marine Equipment Directive.



S = Tension in cylinder
 L = Distance between leg center
 L2 = distance between cylinders deck
 L3 = Hook distance

Technical specifications davit:				
Type	SWL (kg)	Weight (kg)	S	Wire fall
H-5000	5000	4000	6705 x 2 kg	single
H-7000	7250	6000	8640 x 2 kg	single
H-9000	10500	6300	13731 x 2 kg	single
H-13000	13250	8000	15060 x 2	double
H-18000	18000	12600	18300 x 2 kg	double

Main Dimension:							
Type	A	B	C	H	L	L2	L3
H-5000	1600	2677	880	3880	6600	7135	6200
H-7000	1850	2990	850	3895	7400	8032	6870
H-9000	1900	3405	1264	4100	8258	8958	7750
H-13000	2400	2775	150	4500	8500	9204	8960*
H-18000	2997	4680	1362	5398	9500	10300	9500

* Lifeboat outside shipside