



# *Raft Davit*

## *VESTDAVIT L-TYPE*



*Automatic return of hook by  
stored energy.*

*No Crank Handle*

# VESTDAVIT L-TYPE

The L-type davit is a single point davit for raft. The davit is characterized by its compact design and its L-form.

**Typical users** : Merchant vessels, Ferries, High Speed Ferries, Cruise Ships

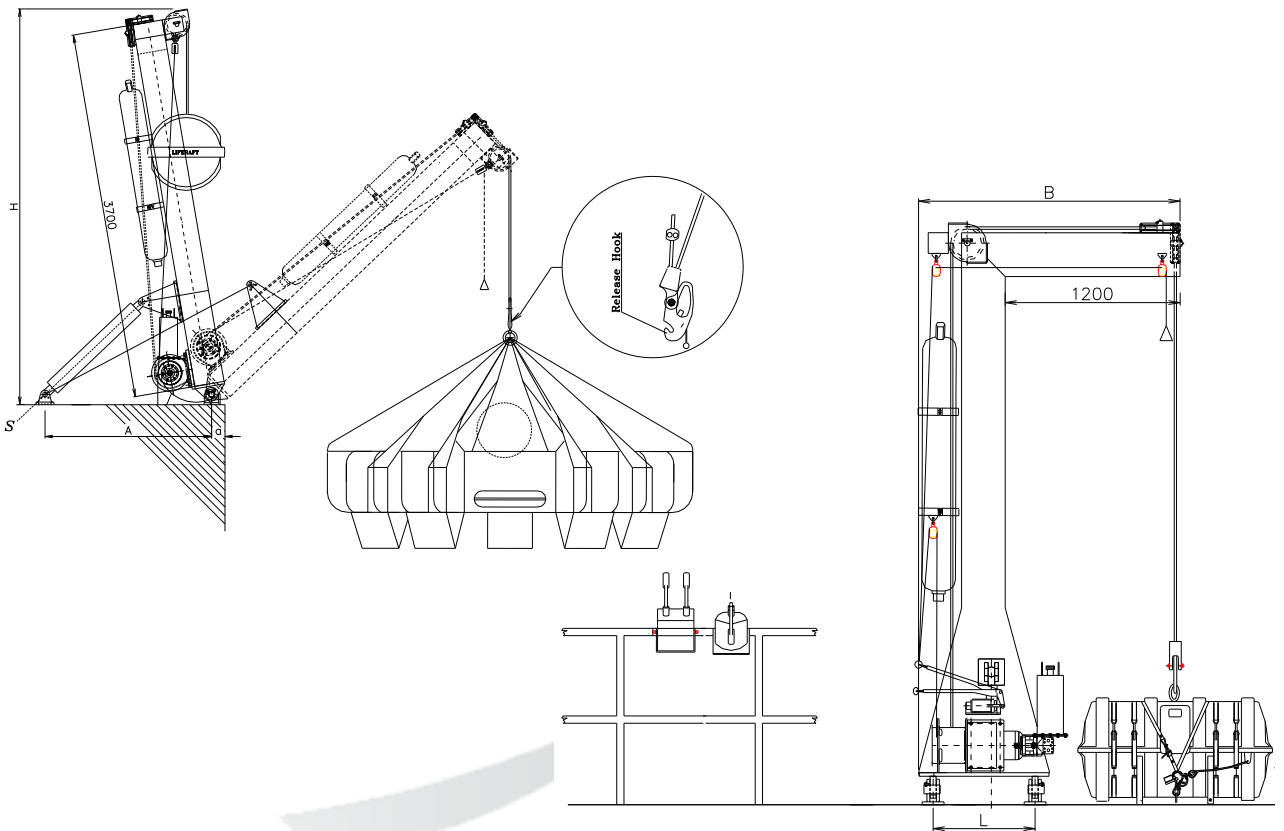
**Capacity** : 1000- 3000 kg

**Power** : Hydraulic + stored power .

**Optional equip.** : End stop, Hydraulic Powerpack.

**Approvals** : On request.

**Certificate** : CE marking according to the Marine Equipment Directive



Technical specifications:			
Type	SWL (Kg)	Weight (Kg)	S (kg)
L-1000			
L-2000	2000	1400	11112
L-2500	2500	2500	13422*

Main Dimensions (mm):					
Type	a	A	B	H	L
L-1000					
L-2000	135	1685	1910	4000	700
L-2500	135	1685	1750	3992	700

\* Hydraulic Power unit incorporated