



# FRDC 3 axes compensated davit VESTDAVIT PAP- type



PAP-12000



PAP-9000

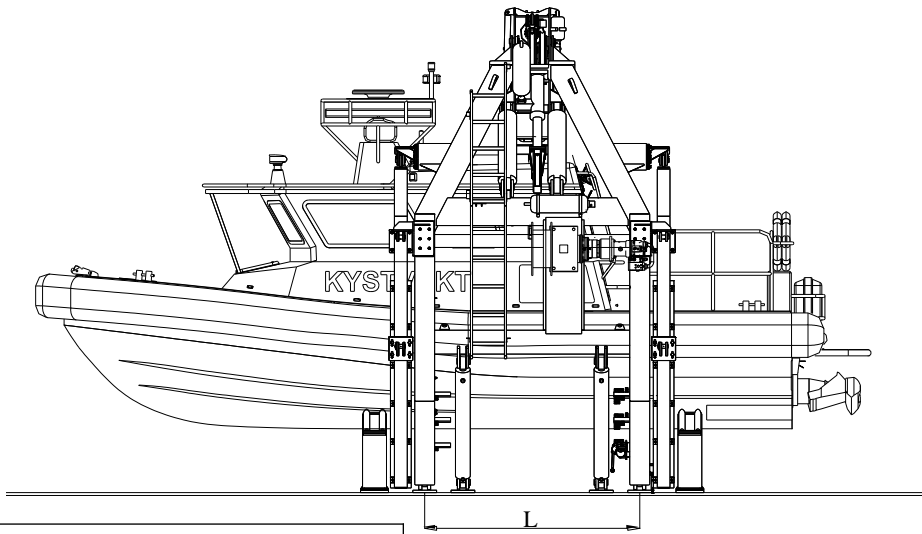


PAP-5000

# VESTDAVIT PAP-TYPE

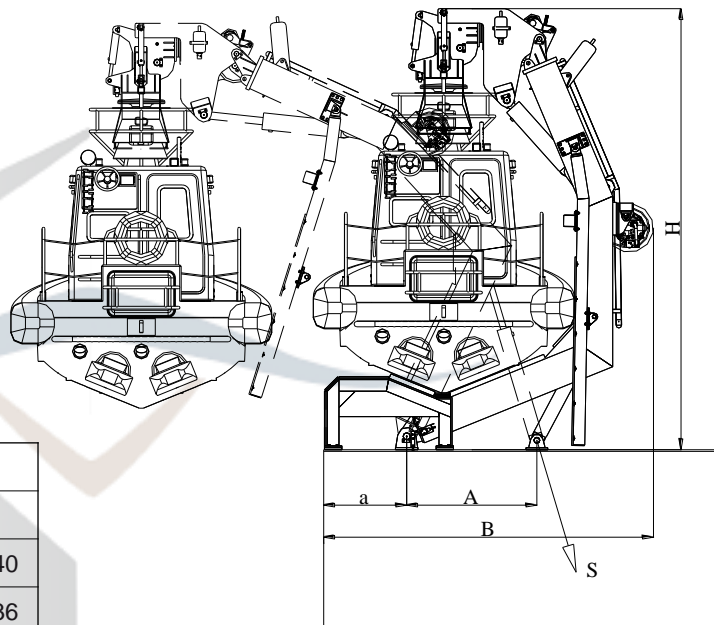
The PAP type davit is a single point davit for MOB's. The davit is characterized by it's compact design and it's Anti-Pendulation Device.

- Typical users** : Merchant vessels, Ferries, High Speed Ferries, Supply vessels, Navy and Coast Guard.
- Capacity** : 3000 - 15000 kg
- Power** : Hydraulic
- Equipment** : Hydraulic Shockabsorber, Self tension, Anti-Pendulation, Line Puller, Hydraulic Guiding.
- Approvals** : NMD, MSA, DNV - other approval by request
- Certificate** : CE marking according to the Marine Equipment Directive



Technical specification davits			
Type	SWL	Weight	S
PAP-3000	3000	3000 kg	2x9000
PAP-3250	3250	3550 kg	2x11000
PAP-5000	5000	4190 kg	2x16150
PAP-6000	6000	4000 kg	2x15862
PAP-9000	9000	8000 kg	2x17078
PAP-10000	10000	6500 kg	2x30575
PAP-12000	12000	9000 kg	2x19572

Main Dimensions					
Type	a	A	B	H	L
PAP-3000	565	1160	3450	3850	2140
PAP-3250	414	775	3619	4806	2136
PAP-5000	414	1252	3621	4802	2136
PAP-6000	1020	1357	4123	4804	2800
PAP-9000	1145	1796	4550	6079	2700
PAP-10000	1370	1115	4500	5595	2800
PAP-12000	465	2500	4768	6785	2800



S = Tension in cylinder [kg]  
 L = Distance between leg centre [mm]  
 SWL = Safe Working Load [kg]