



# Hinged FRDC 3 axes compensated davit VESTDAVIT PAPH- type



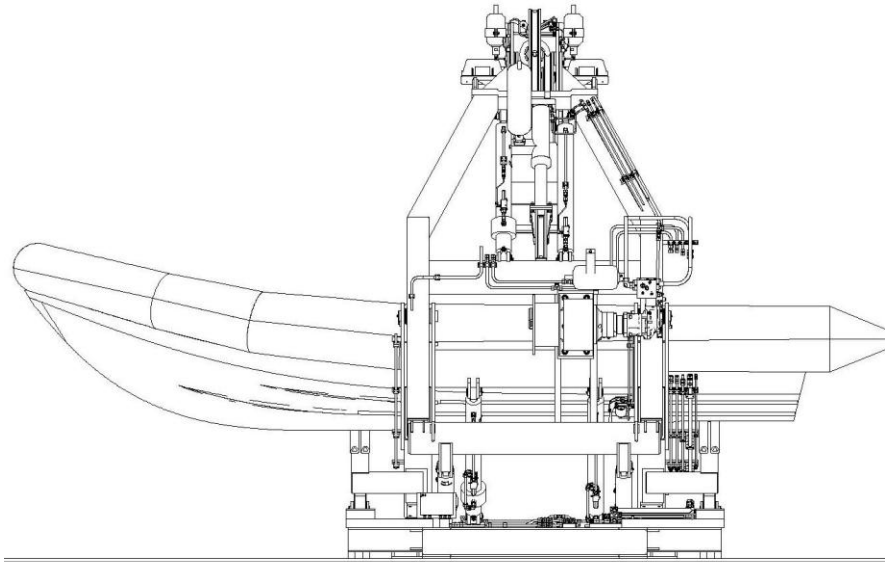
Patented

Boat kept in dockinghead also in Main Deck position

# VESTDAVIT PAPH-TYPE

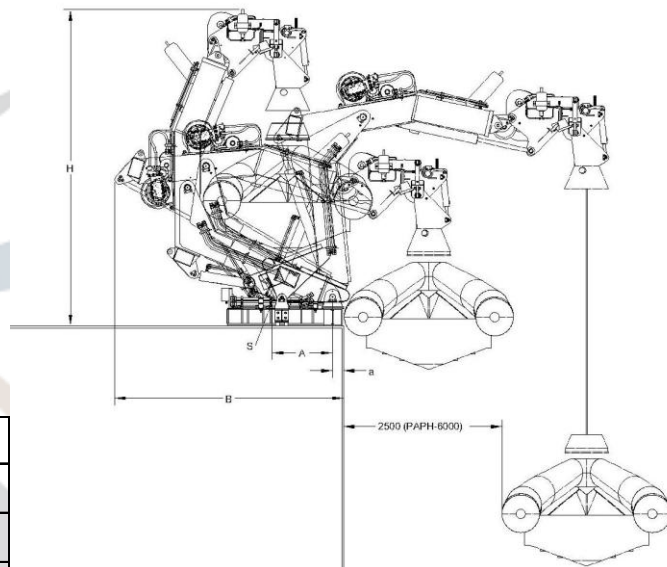
The PAPH type davit is a single point davit for MOB and FRDC`s. The davit is characterized by it`s compact design and it`s Anti-Pendulation Device. This has the unique control of MOB in all deck positions.

- Typical users : Merchant vessels, Ferries, High Speed Ferries, Supply vessels, Navy and Coast Guard.
- Capacity : 3000 - 15000 kg
- Power : Hydraulic
- Equipment : Hydraulic Shockabsorber, Self tension, Anti-Pendulation, Line Puller, Hydraulic Endstop. PLS system.
- Approvals : NMD, MSA, DNV
- Certificate : CE marking according to the Marine Equipment Directive



Technical specification davits:			
Type	SWL	Weight	S
PAPH-8000	6000	6000 kg	2x24200
PAPH-10000	10000	9000 kg	2x30575

Main Dimension:					
Type	a	A	B	H	L
PAPH-8000	175	965	3660	5055	2140
PAPH-10000	2090	1600	4100	6250	2550



S = Tension in cylinder  
L = Distance between leg center