

Special davit for FPSO Work Boats

VESTDAVIT PLR- 8001

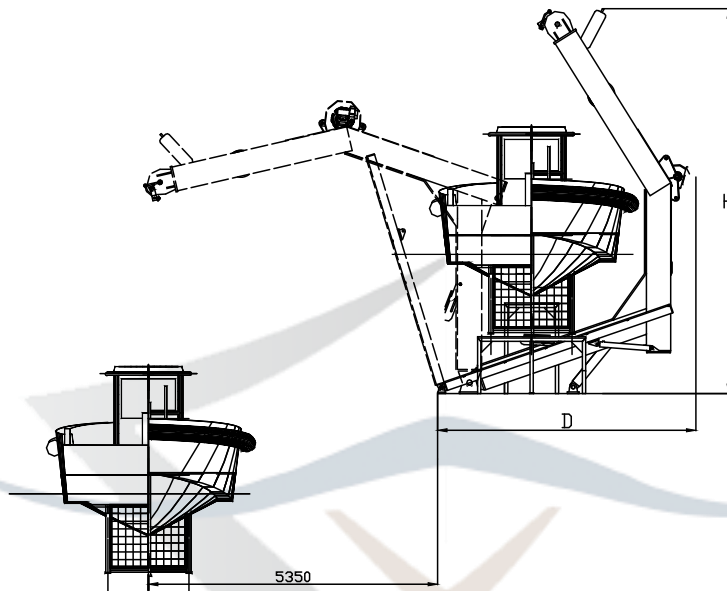
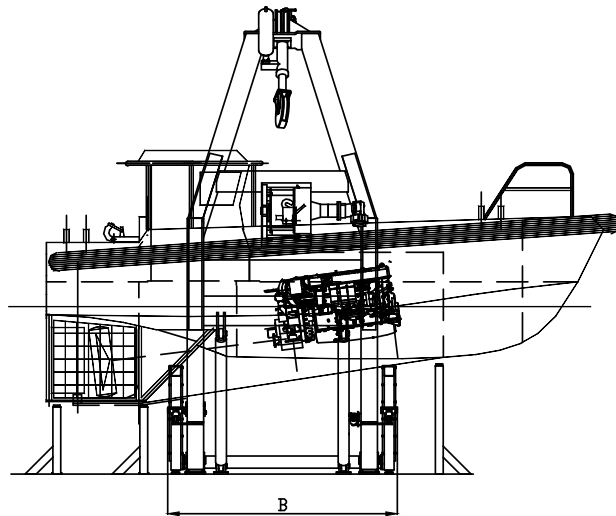
Type approved hazardous zone 1



VESTDAVIT PLR-8001

Single point davit of compact design for Seismic FPSO`s workboats. With guiding frame.

- Typical users : FPSO vessels.
Capacity : 8000 kg
Power : Hydraulic+ stored power in compliance with latest SOLAS
Optional equip. : Dynamic shockabsorber, Self tension winch system hydraulic line puller, hydraulic end stop.
Approvals : NMD, MSA, DNV, BV
Certificate : EC marking according to the Marine Equipment Directive



Technical specifications (kg)						
Type	SWL	Weight	Cylinder Tension	B	D	H
PLR-8001	8000	6000	24040 x 2	3450	4780	7110